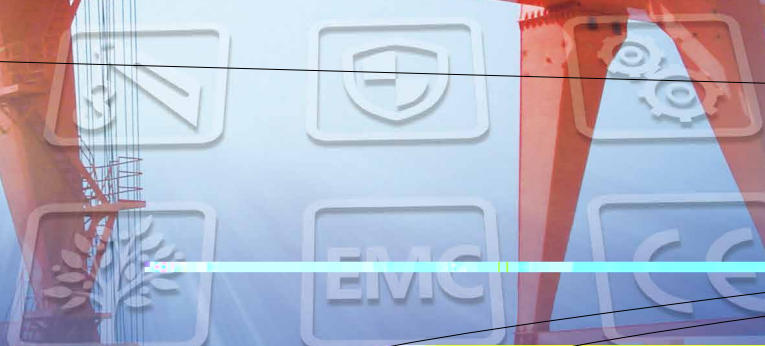




三 壘 達

LeaderSamco

SVC06-Q





1986

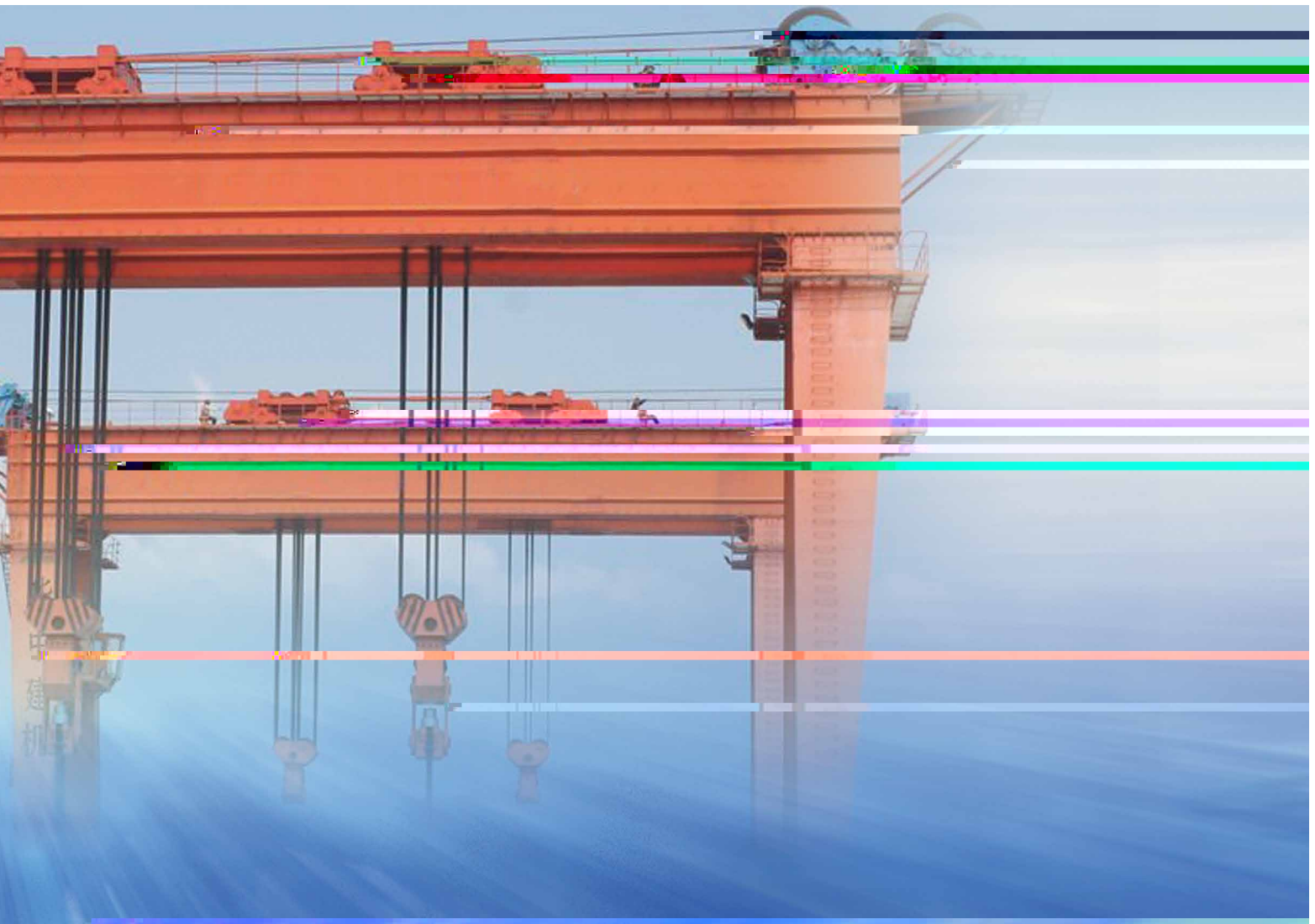
1986

UPS

1999

()

30



三垦力达起重专用变频器



PG

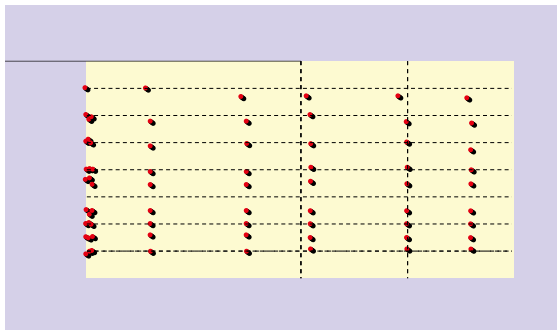


EMC



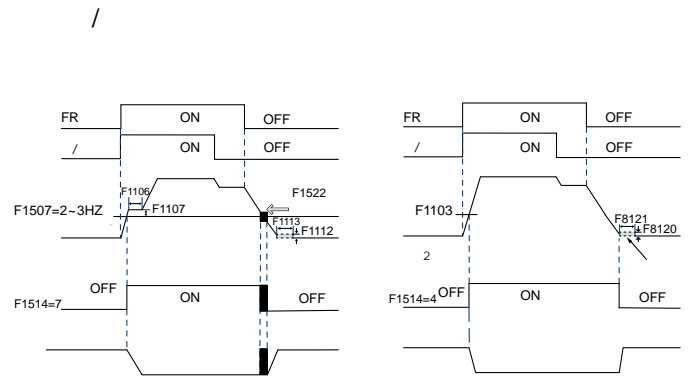
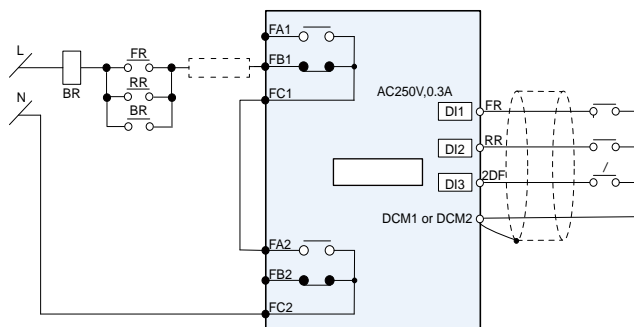
150%
200%
SVC06-Q
150%-60s,200%-3s

SVC06-Q



-15%~ +10%

3CT



V/F / PG /

PG /

150%

PG

PG

PG

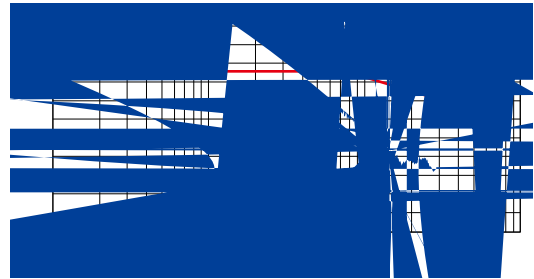
DC24V 150mA



EMC

IEC61000-2 3 4

EN61800-3



SVC06-Q

105 5000

ON/OFF

SVC06-Q	JEMA
10	2-3
10	5
10	5

EN61800-5-1 2007

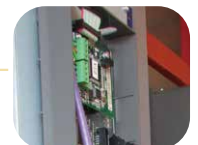


PG

- 1
- 2 200%
- 3 12m/min 45m
- 4 Profibus-DP
- 5 125% 150%

50T

SVC06-Q



Profibus-DP



PG





VF / PG

SVC06-Q

8 50T/16T

1
150%

50T+16T

125%

2

3

U5

A6 24

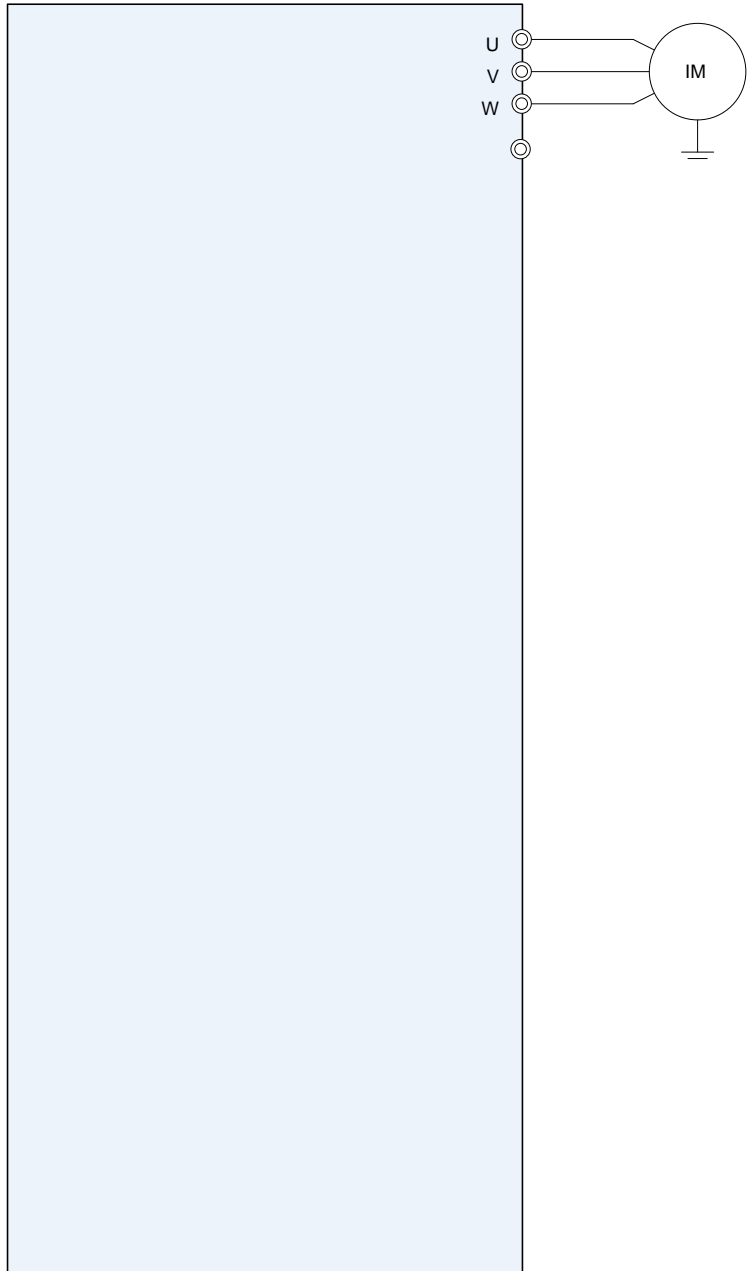




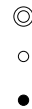
400V

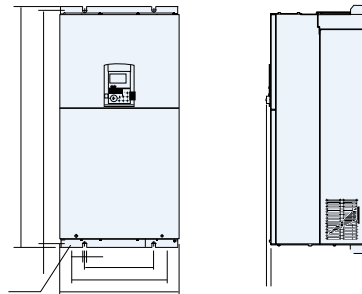
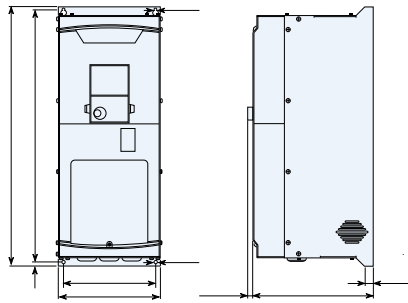
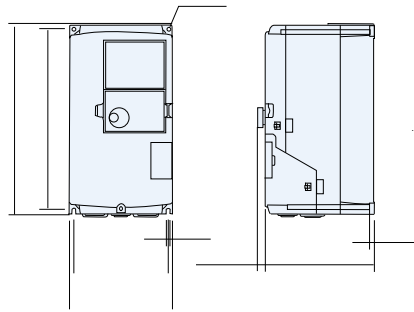
(SVC06-A -NN42-Q)			0004	0006	0009	0013	0017	0025	0032	0038	0046
A	[kW]		1.5	2.2	4	5.5	7.5	11	15	18.5	22
	[kVA] ¹		2.8	4.2	6.2	8.7	11.8	17.3	22.2	26	32
	[A] ²		4	6	9	12.6	17	25	32	38	46
	³										
	⁴		0.05 599Hz								
B	[kW]		2.2	4	5.5	7.5	11	15	18.5	22	30
	[kVA] ¹		4.2	6.2	8.7	11.8	17.3	22.2	26.3	31	41
	[A] ²		6	9	12.6	17	25	32	38	46	61
	³										
	⁴		0.05 240Hz				0.05 60Hz				
⁵											
A	[kVA] ⁶		2.5	3.7	5.6	7.9	10.7	16.9	21.7	25.4	30.3
	[A] ⁷	DCL	3.6	5.5	8.2	11.5	15.5	24.5	31.4	36.7	43.8
		DCL	5.6	8.4	12.6	17.6	23.8	35	44.8	-	-
	B	[kVA] ⁶		3.7	5.6	7.9	10.7	16.9	21.7	25.7	30.3
[A] ⁷		DCL	5.5	8.2	11.5	15.5	24.5	31.4	37.2	43.8	58.3
		DCL	8.4	12.6	17.6	23.8	35	44.8	53.2	-	-
⁸		4kg	4kg	4kg	6kg	6kg	7kg	7kg	25kg		
DC		PWM(1k 14kHz) ⁹									

1 400V 3 10 1 4 PG) PG 0.25Hz 240Hz/
 2 AC400V 0.05Hz 240Hz(



1



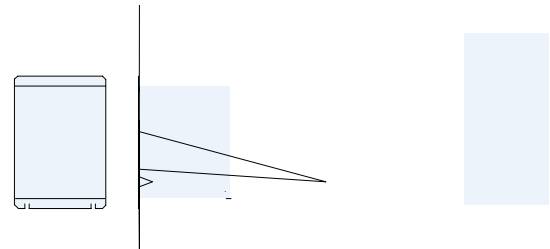


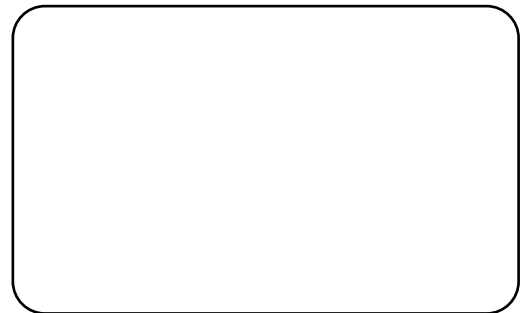
PG		SC-PG1	(PG) A B (PG) PG +5V	SVC06-Q
		SC-PG2	(PG) A B / PG PG +12V	
		SC-PG3	(PG) A B / PG PG +24V	
PROFIBUS				

2	1		SC-PG1	SC-PG2	SC-PG3	SC-PB2
		-				
	SC-PG1		°	°	°	
	SC-PG2		°	°	°	
	SC-PG3		°	°	°	
	SC-PB2					°

SC-PB2 2

°





www.sankenld.com

&

899 6 (201203)

(021) 63756555

(021) 63756816

KL1-V21CA3-211000MD

214425



()

